

FM Stereo FM-AM Receiver

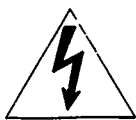
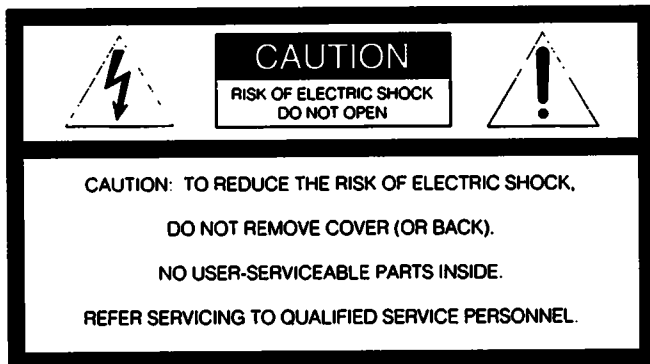
Operating Instructions

***STR-D915
STR-D715***

Warning

WARNING

To prevent fire or shock hazard, do not expose the unit to rain or moisture.



This symbol is intended to alert the user to the presence of uninsulated "dangerous voltage" within the product's enclosure that may be of sufficient magnitude to constitute a risk of electric shock to persons.



This symbol is intended to alert the user to the presence of important operating and maintenance (servicing) instructions in the literature accompanying the appliance.

Note to CATV system installer

This reminder is provided to call the CATV system installer's attention to Article 820-40 of the NEC that provides guidelines for proper grounding and, in particular, specifies that the cable ground shall be connected to the grounding system of the building, as close to the point of cable entry as practical.

Owner's Record

The model number is located on the rear exterior and serial number is on the rear. Record the serial number in the space provided below. Refer to these numbers whenever you call upon your Sony dealer regarding this product.

Model No. STR-D915
Model No. STR-D715

Serial No. _____
Serial No. _____

INFORMATION

This equipment has been tested and found to comply with the limits for a Class B digital device, pursuant to Part 15 of the FCC Rules.

These limits are designed to provide reasonable protection against harmful interference in a residential installation. This equipment generates, uses, and can radiate radio frequency energy and, if not installed and used in accordance with the instructions, may cause harmful interference to radio communications. However, there is no guarantee that interference will not occur in a particular installation. If this equipment does cause harmful interference to radio or television reception, which can be determined by turning the equipment off and on, the user is encouraged to try to correct the interference by one or more of the following measures:

- Reorient or relocate the receiving antenna.
- Increase the separation between the equipment and receiver.
- Connect the equipment into an outlet on a circuit different from that to which the receiver is connected.
- Consult the dealer or an experienced radio/TV technician for help.

CAUTION

You are cautioned that any changes or modifications not expressly approved in this manual could void your authority to operate this equipment.

WARNING

To prevent shock hazard, do not insert the plug cut off from the mains lead into a socket outlet. This plug cannot be used and should be discarded.

If the plug supplied with this appliance has detachable fuse cover, be sure to attach the fuse cover after you change the fuse. Never use the plug without the fuse cover. If you should lose the fuse cover, please contact your nearest Sony service station.

For the customers in Canada

CAUTION :

TO PREVENT ELECTRIC SHOCK, DO NOT USE THIS POLARIZED AC PLUG WITH AN EXTENSION CORD, RECEPTACLE OR OTHER OUTLET UNLESS THE BLADES CAN BE FULLY INSERTED TO PREVENT BLADE EXPOSURE.

This apparatus complies with the Class B limits for radio noise emissions set out in Radio Interference Regulations.

Table of Contents

Introduction

Overview	4
Precautions	4

Chapter 1 Getting Started

Unpacking	5
Checking the Supplied Accessories	5
Inserting Batteries into the Remote Commander	5
Hooking Up the System	6
Notes on Connections	6
Connecting Audio Equipment	6
Connecting Video Equipment	6
Connecting an FM Antenna	7
Connecting the Antenna Ground	7
Connecting an AM Antenna	7
Connecting Speaker Systems	8
Connecting to the AC Power Outlet	8

Chapter 2 Basic Operations

Listening to/Watching a Program Source	9
Selecting a Program Source	9
Selecting the Speaker System	9
Adjusting the Audio	9
Labeling the Program Source	10
To Turn Off the Power at the Desired Time (The Sleep Timer Function)	10
Receiving Broadcasts	11
Tuning in a Station Directly (Direct Tuning)	11
Automatic Tuning	12
Presetting Stations	12
Tuning in a Preset Station (Preset Tuning)	13
Labeling the Preset Stations (Station Index)	14
Selecting a Station among the Preset Stations in the Index (Index Tuning)	15
Receiving FM Simulcast TV Programs	15
Remote Controls	16
Using the Remote	16
Changing the Settings of the FUNCTION Buttons	17

Chapter 3 Advanced Operations

Recording an Audio Source	18
Recording on a Tape	18
Editing a Video Source	18
Recording on a Video Tape	18
Adding New Sound on a Video Tape during Video Editing	19

Obtaining the Surround Sound	20
Placement of Speakers and Selecting the CENTER MODE for Dolby Surround Sound	20
Adjusting the Speaker Volume	21
Adjusting the Delay Time of the Rear Speakers	22
Sound Field Settings	23
Available Type of Effects	23
Adjusting the Sound Field Programs	24
Calling up the Sound Field Setting	25

Chapter 4 Other Information

Troubleshooting Guide	26
Specifications	28
Identifying the Parts and Controls	31
Front Panel	31
Remote Commander (Except for the STR-D915 for Canadian Model)	32
Quick Reference	33

Overview

The STR-D915/D715 is an FM Stereo/FM-AM receiver and audio/video control center.

You can enjoy various audio/video program sources with this unit.

TV/video programs

- You can enjoy TV or CATV programs with FM simulcast.
- Sounds from various audio program sources can be added on video tapes during editing.

Tuner

- Precise tuning is ensured by a quartz locked digital synthesizer.
- Station Index system allows you to tune into a station quickly.

DOLBY* PRO LOGIC

In the DOLBY SUR or THEATER mode, the center mode can be selected. The Dolby Pro Logic Surround Decoder has the same functions for playback as movie theaters and gives a theater-like experience in your listening room, naturally reproducing the audio sound field.

- * Manufactured under license from Dolby Laboratories Licensing Corporation. Additionally licensed under one or more of the following patents: U.S. number 3,959,590; Canadian numbers 1,004,603 and 1,037,877. "DOLBY", "Pro Logic", and the double-D symbol are trademarks of Dolby Laboratories Licensing Corporation.

Sound field (combination of digital delayed surround and tone controls)

- 6 recommended sound field programs (DOLBY SUR, THEATER, LIVE, HALL, DANCE, ACOUSTIC) are preset in the factory for easy use. You can also store up to 6 settings you created in the memory.
- Combined use of the sound field programs and the preset stations or program source allows you to enjoy broadcast or program source listening immediately with the memorized 6 settings of sound field (DOLBY SUR, THEATER, LIVE, HALL, DANCE, ACOUSTIC).

Remote commander

The supplied remote commander allows you to remotely control this receiver and the equipments connected to the receiver.

For the instruction of the remote commander, see pages 16 and 17.

As for the instruction of the remote commander for STR-D915 Canadian model, see the operating instructions of the separate volume.

Precautions

On safety

- For the U.S.A. and Canadian models, operate the unit only on 120 V AC, 60 Hz.
- For Australian model, operate the unit only on 240 V AC, 50 Hz.
- Should any solid object or liquid fall into the cabinet, unplug the unit and have it checked by qualified personnel before operating it any further.
- Unplug the unit from the wall outlet if it is not to be used for an extended period of time. To disconnect the cord, pull it out by grasping the plug. Never pull the cord itself.
- One blade of the plug is wider than the other for the purpose of safety and will fit into the power outlet only one way. If you are unable to insert the plug fully into the outlet, contact your dealer. (except for Australian model)
- The unit is not disconnected from the AC power source (mains) as long as it is connected to the wall outlet, even if the unit itself has been turned off.

On operation

Before making program source connections, be sure to turn the power switch off and unplug the unit.

To prevent internal heat buildup in the unit, place the unit in a location with adequate air circulation.

Do not install the unit:

- near heat sources such as radiators or air ducts.
- in a place subject to direct sunlight, excessive dust, mechanical vibration or shock.

Do not place anything on top of the cabinet.

The top ventilation holes must be unobstructed for the proper operation of the unit and to prolong the life of its components.

On cleaning the cabinet

Clean the cabinet, panel and controls with a soft cloth lightly moistened with mild detergent solution. Do not use any type of abrasive pad, scouring powder, or solvent such as alcohol or benzine.

For the customers in the U.S.A.

For detailed safety precautions, see the "IMPORTANT SAFEGUARDS" leaflet.

If you have any question or problem concerning your unit, please consult your nearest Sony dealer.

Unpacking

Do not throw away the carton and packing material!

It will be an ideal container when transporting the system for repair work, etc.

Checking the Supplied Accessories

After unpacking, check that the following accessories are present.

- FM wire antenna (1)
- AM loop antenna (1)
- Remote commander (1)
- Sony batteries SUM-3 (NS) (2)

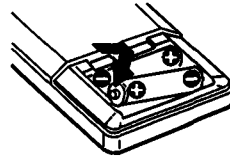
Inserting Batteries into the Remote Commander

Before operating the remote commander, install the batteries as shown below.

1 Open the cover.



2 Insert two size-AA (R6) batteries with correct polarity.



To avoid damage caused by battery leakage and corrosion

When the commander will not be used for a long time, remove the batteries.

Battery life

Normal operation can be expected about a half year using Sony SUM-3 (NS) (size-AA), and a year using Sony AM-3 (NW) (size-AA) alkaline batteries.

When the batteries are run down, the remote commander will not operate the unit. In this case, replace both batteries with new ones.

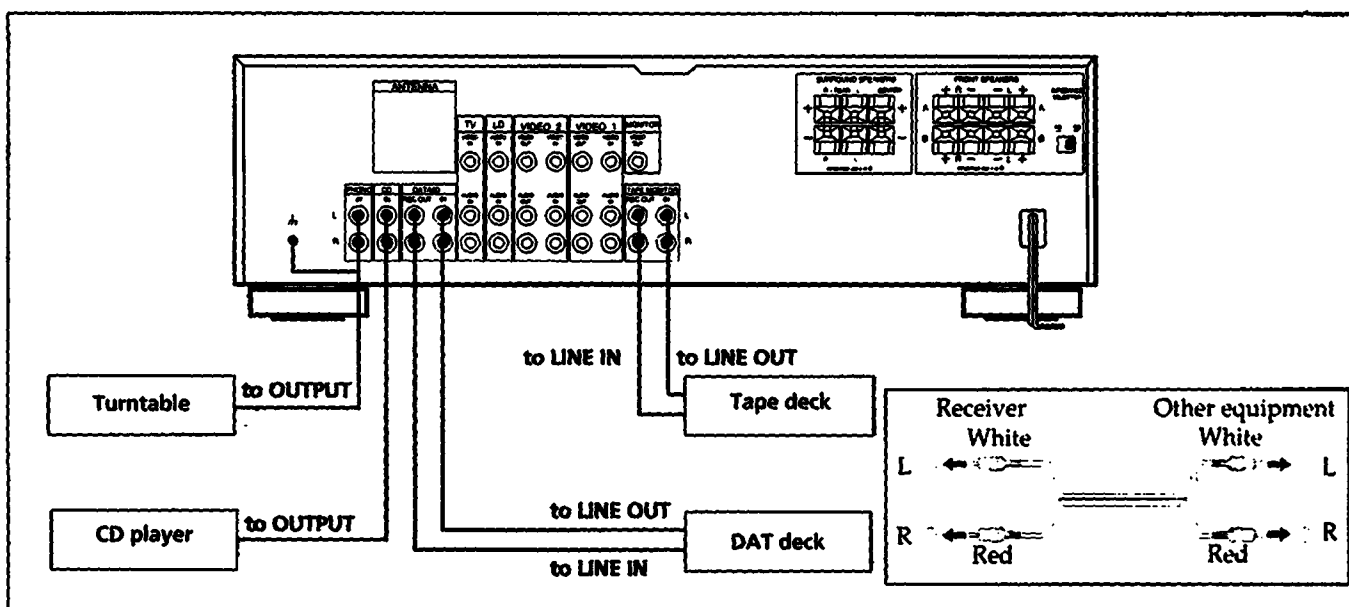
Hooking Up the System

Notes on Connections

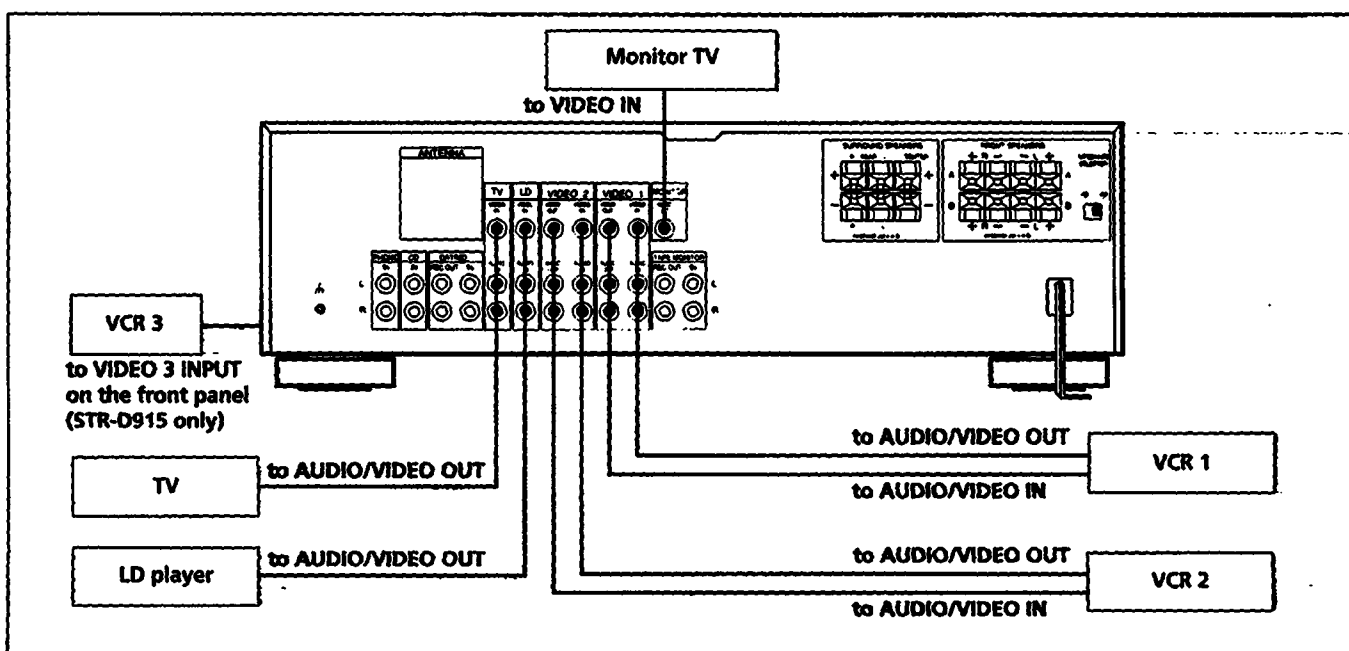
At first, this section describes about the connection with the other equipments, the antenna connection, speaker connection and then the AC power connection.

- Do not connect the power cord to an AC wall outlet until you complete other connection.
- The cable connectors should be fully inserted into the jacks. Loose connection may cause hum and noise.
- Jacks and plugs of the connecting cord are color-coded as follows:
 Red jacks and plugs: For the right channel of audio signals
 White jacks and plugs: For the left channel of audio signals
 Yellow jacks and plugs: For video signals

Connecting Audio Equipment

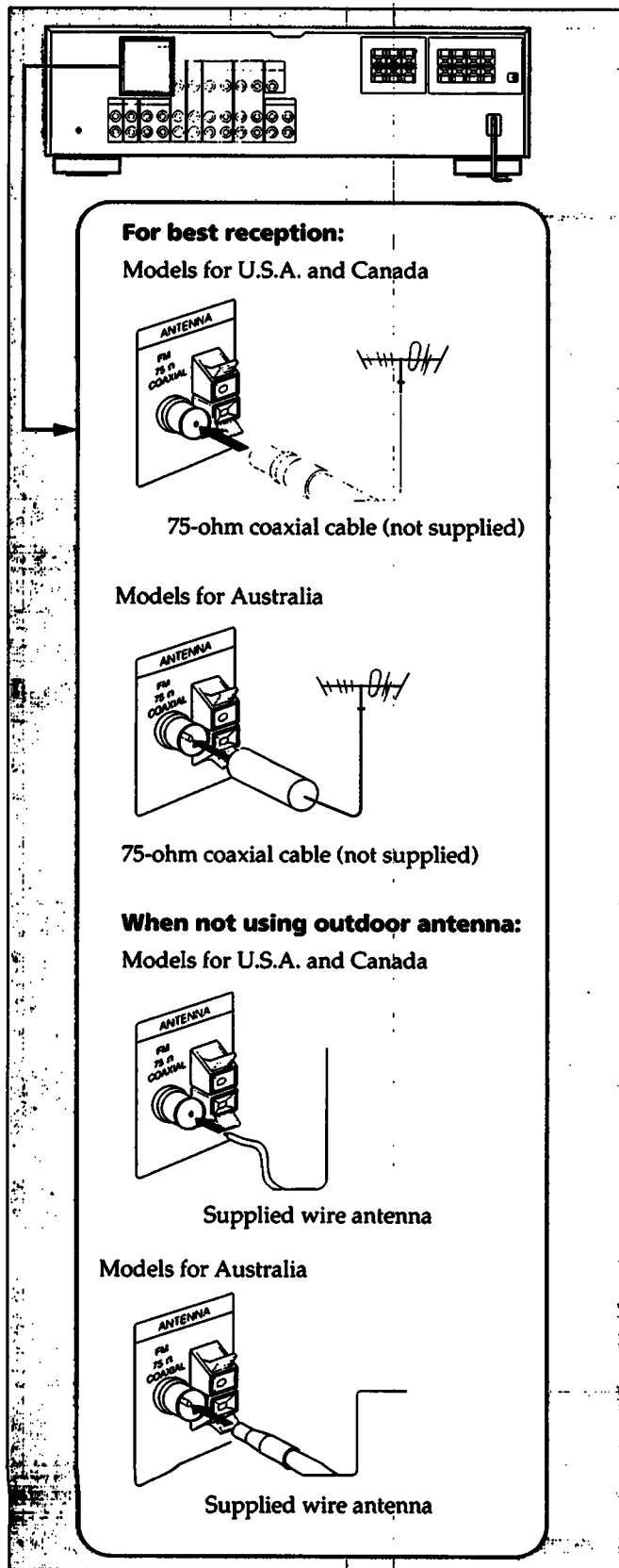


Connecting Video Equipment



Connecting an FM Antenna

Though the wire antenna is supplied with this unit, the higher quality sound will be obtained with the 75-ohm coaxial cable. (not supplied)



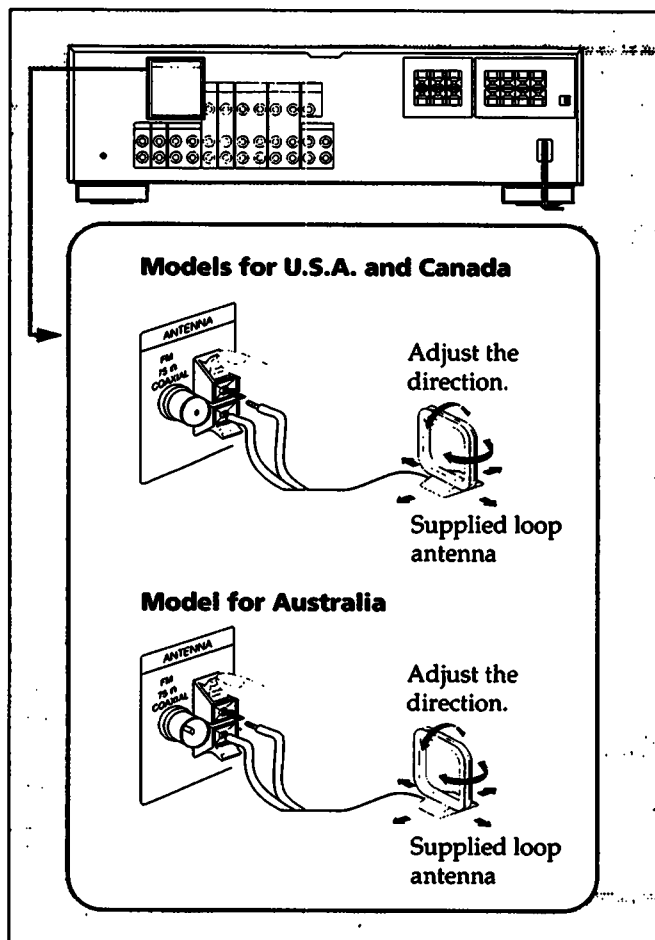
Connecting the Antenna Ground

To prevent hum, connect the ground wire to ANTENNA ground terminal (h).

When an outdoor antenna is installed, be sure to connect the ground wire for lightning protection.

Connecting an AM Antenna

The AM broadcast is adequate with the supplied AM loop antenna. However, the connection of insulated wire is also available for areas with difficult AM reception.



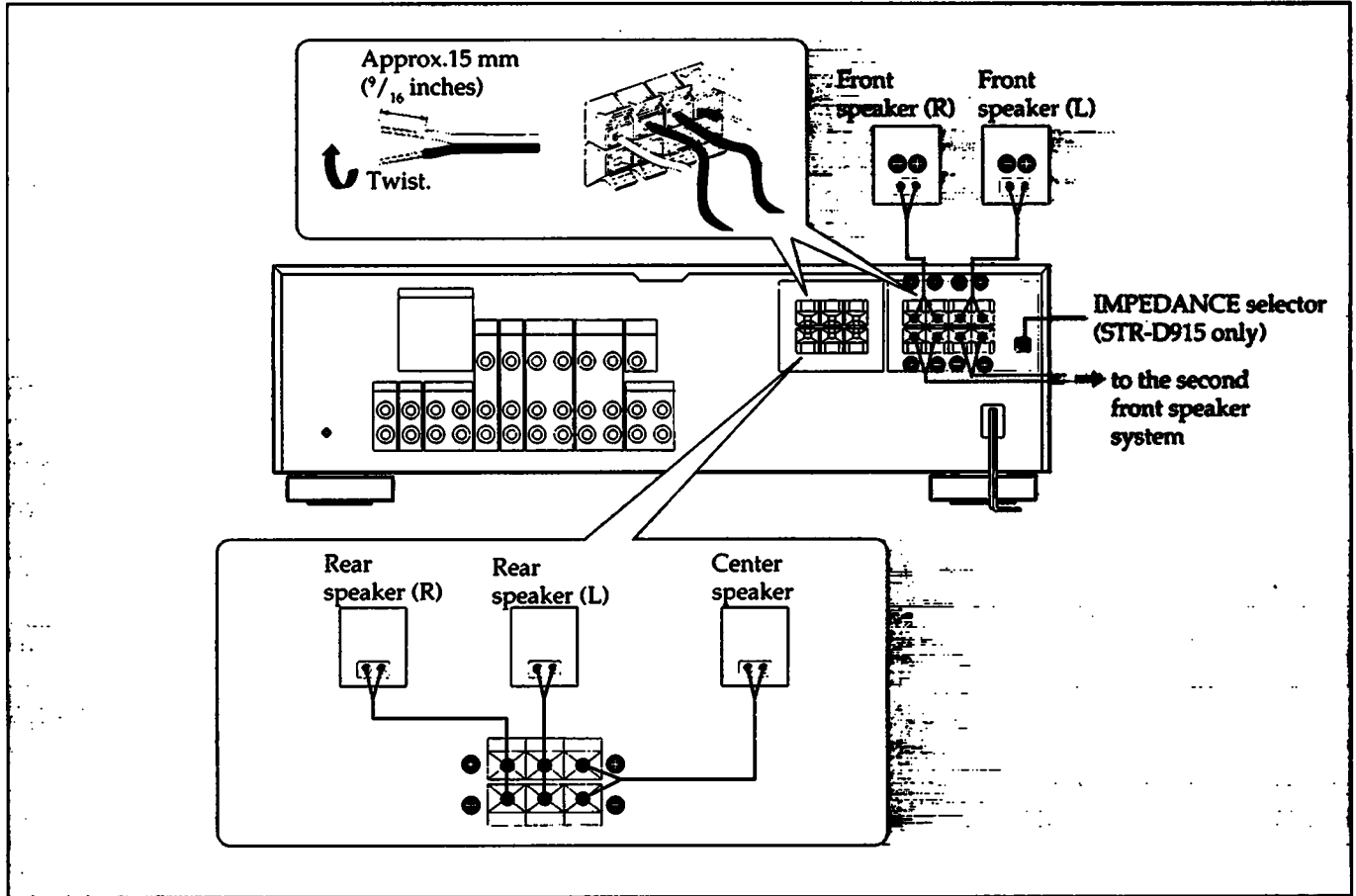
AM antenna extension

For best reception, attach a length of insulated wire (6 - 15 m long) to the AM ANTENNA terminal in addition to the loop antenna.

Hooking Up the System

Connecting Speaker Systems

You can connect front, rear and center speakers to this unit.



On the IMPEDANCE selector (STR-D915 only)

The STR-D915 has the IMPEDANCE SELECTOR for front speakers.

When using the front speakers having nominal impedance from 4 ohms or higher, set to the 4 Ω position.

When using the front speakers having nominal impedance from 8 ohms or higher, set to the 8 Ω position.

Note

Use the front speakers having nominal impedance of more than 8 ohms in the SURROUND mode.

Note

When connecting the speaker cord to the speaker terminal, make sure that the polarity (+ and -) of the speaker cord is correct. If the polarity is reversed at either speaker, the sound will be distorted and will lack bass.

Connecting to the AC Power Outlet

Connect the AC power cord to the wall outlet last of all. By connecting the power cord of the other audio equipment to SWITCHED AC OUTLET, this unit can supply the power source to the other audio equipment.

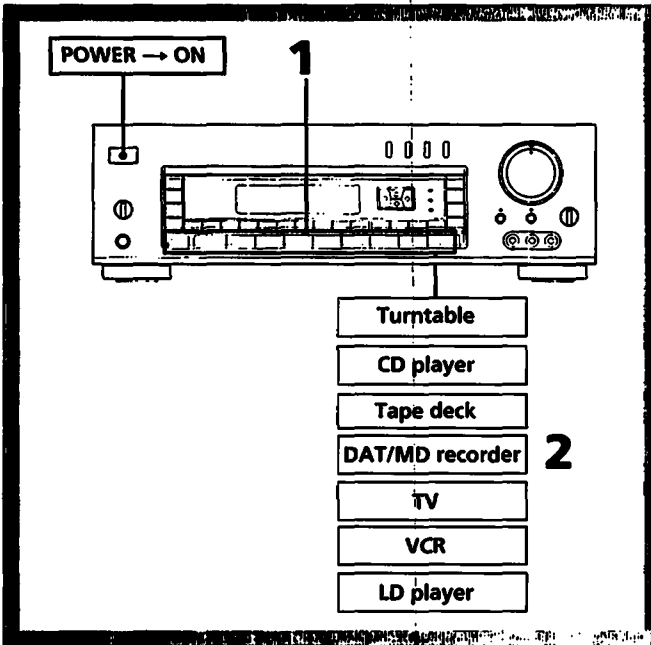
Caution

Be careful that the total power consumption of each equipment connected to the outlets on the receiver does not exceed 120 watts (for U.S.A. and Canadian models) or 100 watts (for Australian model).

Do not connect electrical home appliances such as an electric iron, fan, TV, or other high-wattage equipment to these outlets.

Listening to/Watching a Program Source

Selecting a Program Source



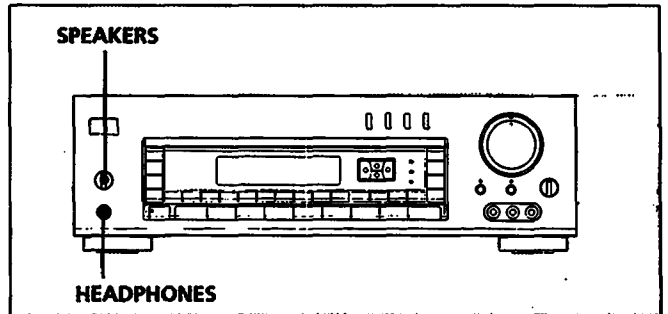
1 Select the program source.

To listen to or watch	Press
Phono record	PHONO
Radio Broadcast	TUNER
Compact disc	CD
DAT or MD program	DAT/MD
Taped program	TAPE MONITOR
Video program	TV, LD, VIDEO 1, VIDEO 2 (and VIDEO 3 for STR-D915)

When a function selector is pressed, the indicator of the function you have selected appears on the display. Select the function with the remote commander, the power switches of both this receiver and the selected equipment connected to the AC outlets on the receiver are turned on.

2 Start the selected program.

Selecting the Speaker System

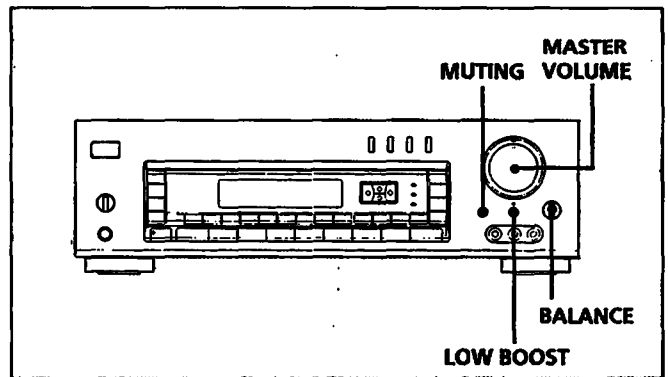


To drive speaker system A: Set SPEAKERS to A.
 To drive speaker system B: Set SPEAKERS to B.
 To drive both speaker systems A and B (series connection): Set SPEAKERS to A + B.
 For headphone listening: Connect headphones to HEADPHONES and set SPEAKERS to OFF.

IMPORTANT

Speaker systems A and B are connected in series. When only one speaker system is connected, no sound can be heard at the A + B position.

Adjusting the Audio



Adjusting volume

Turn MASTER VOLUME.

Reducing the sound to a low level temporarily (- 20 dB attenuation)

Press MUTING. The indicator lights up. Press again to restore the same listening level as before and indicator goes off.

Adjusting the left and right sound balance

Adjust BALANCE to correct stereo imaging, when the speaker position is not symmetrical.

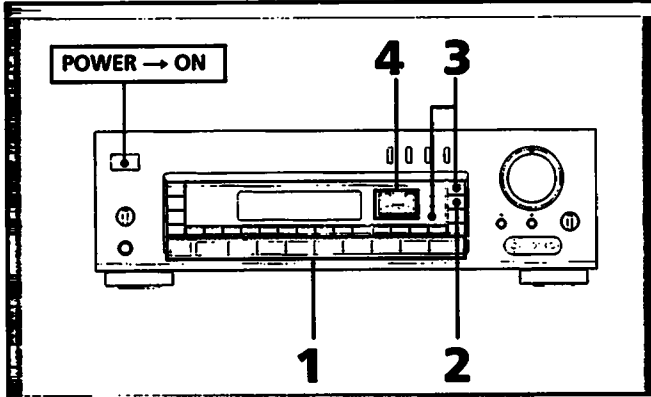
Reinforcing the Bass

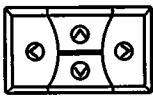
Press LOW BOOST so that LOW BOOST indicator lights up. Press again to turn off the effect.

Listening to/Watching a Program Source

Labeling the Program Source

You can create and input a name for each function button as you like (except TUNER). You can use up to 11 letters for each name.



- 1** Select the program source (except TUNER).
- 2** Press DISPLAY if "INDEX MODE" is not displayed.
- 3** Press DPC MODE repeatedly until the INDEX indicator lights up.
- 4** Create an index name.

To select a letter (A to Z) or number (1 to 9), press ^ or v.
To change the position, press < or >.
- 5** Repeat steps 1 to 3 for all other program sources you want to assign an index name to.

If you input an already stored source under any other index name

Only the last selected index name will be valid. Each program source can be stored under only one index name.

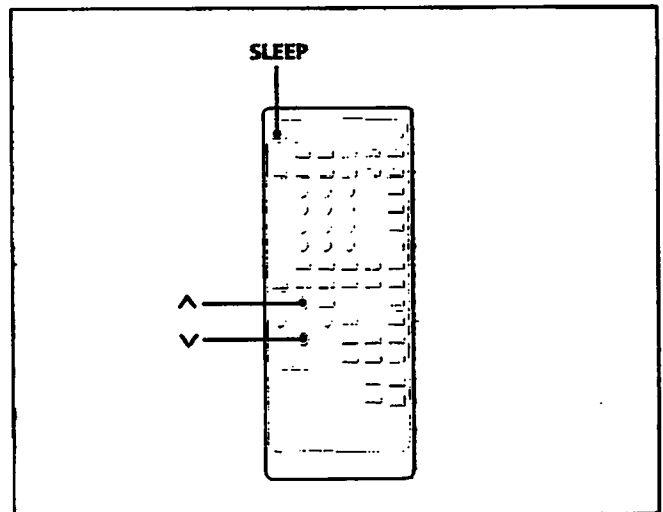
To switch the original function name display and created index name display

Each time the DISPLAY is pressed, the selected function name (which corresponds to the function selector) and the created index name are alternately displayed.

To Turn Off the Power at the Desired Time (The Sleep Timer Function)

This function can be operated only with the remote commander.

This receiver has the sleep timer function. With this function, you can turn off the power automatically at the desired time by designating the turn-off time. Press SLEEP on the remote commander when the power is on. Each time SLEEP is pressed, the designating time is displayed in the following order: 2 hours → 1 hour and 30 minutes → 1 hour → 30 minutes → SLEEP OFF. When the sleep timer function is turned on, the display becomes dim.



To change the turn-off time

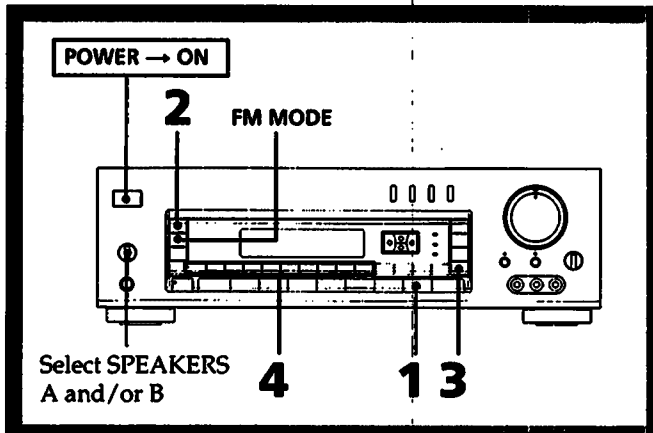
- 1** Press SLEEP. The sleep time is displayed.
- 2** Press ^ or v to change the sleep time. The sleep time is changed by 1 minute. It can be changed up to 5 hours.

To check the remaining time of the sleep timer

Press SLEEP. The remaining time is displayed.

Receiving Broadcasts

Tuning in a Station Directly (Direct Tuning)



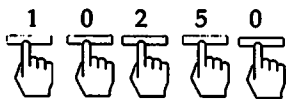
1 Press TUNER.

2 Press FM/AM to select FM or AM.

3 Press DIRECT.

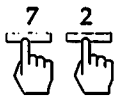
4 Press the appropriate numeric buttons to enter the frequency. (See examples below.) The entered frequency is displayed.

Example 1: FM 102.50 MHz



FM 102.50MHz

Example 2: AM 720 kHz



AM 720kHz

Note on AM tuning

You have to enter the last "0" for Australian model.

To correct the entered frequency

Repeat steps 3 to 4.

If you enter a frequency not covered by the tuning interval

The entered value is automatically rounded up or down to the closest value covered by the tuning interval.

Tuning intervals for direct tuning are the followings:

FM: 50 kHz interval

AM: 10 kHz interval (for U.S.A. and Canadian models)

9 kHz interval (for Australian model)

(To switch the tuning interval between 9 kHz and 10 kHz, see page 29.)

When the entered frequency does not exist in the receivable frequency range

The entered digits (up to 5 digits for FM or up to 4 digits for AM) blink in the frequency display area, and reception does not take place.

If this occurs, press DIRECT again, and enter the correct frequency. The frequency range of the receiver is 87.50 to 108.0 MHz for FM, and 530 to 1710 kHz with 10 kHz interval (U.S.A. and Canadian models) or 531 to 1602 kHz with 9 kHz interval (Australian model) for AM.

When an FM stereo program is noisy

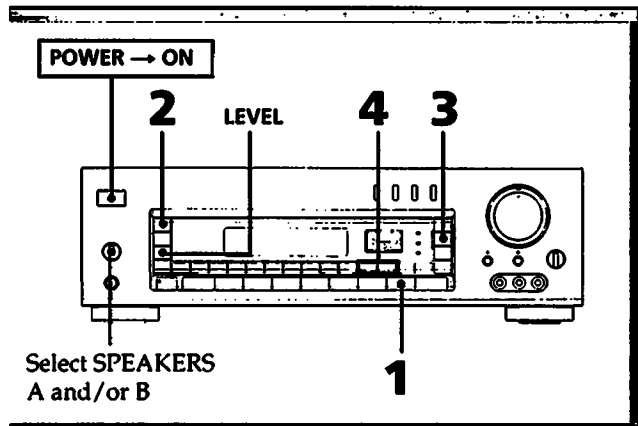
When the unit receives an FM stereo program, the STEREO indicator lights in the display window. If the stereo program is noisy, press FM MODE to change the mode over to MONO. This eliminates the stereo effect, but the noise will be greatly reduced.

To return to the stereo mode, press FM MODE again.

Receiving Broadcasts

Automatic Tuning

If you do not know the frequency of the station, use automatic tuning.



1 Press **TUNER**.

2 Press **FM/AM** to select **FM** or **AM**.

3 Press **DISPLAY** if the frequency is not displayed.

4 Press **INDEX SELECT/TUNING +** or **-**.
For a higher frequency, press **INDEX SELECT/TUNING +**.
For a lower frequency, press **INDEX SELECT/TUNING -**.

When a station is received, automatic tuning stops automatically. Press + or - until the desired station is received.

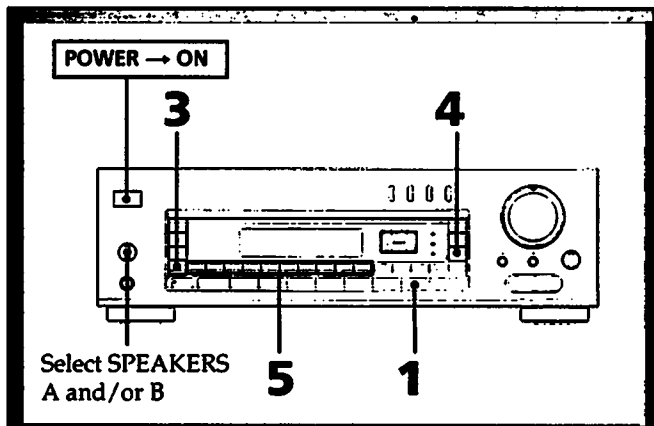
If the automatic scan stops frequently (or FM reception only)

to receive only stations with strong signals, press **LEVEL**. **HIGH** appears on the display.

to receive all receivable stations again (including stations with weaker signals), press **LEVEL** until **HIGH** goes off.

Presetting Stations

You'll most likely want to preset the stations you listen to often. The receiver can store a total of 30 FM or AM stations.



1 Press **TUNER**.

2 Tune in the desired station.
(See "Direct Tuning" on page 11 or "Automatic Tuning" in the left column.)

3 Press **MEMORY**.
"MEMORY" appears for a few seconds.

4 Press **SHIFT** to select the memory page (**A**, **B** or **C**) while "MEMORY" is displayed.

Each time **SHIFT** is pressed, **A**, **B** or **C** appears cyclically on the display.

5 Press the desired numeric button (**1** to **0**) while "MEMORY" is displayed.

Repeat steps from 2 through 5 for presetting other desired stations.

Use of memory pages

The memory pages (**A**, **B** and **C**) can be used to classify stations according to the music category, station band, etc.

Replacing a preset station

Preset another station on the number of the station to be replaced. The previously preset station will be erased.

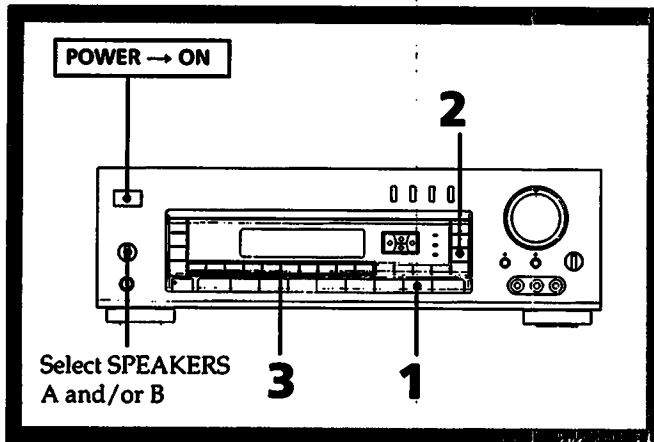
IMPORTANT

The memorized station is maintained for approximately one month even if the power cord is disconnected from the AC wall outlet. If they are erased, store the stations again.

Tuning in a Preset Station (Preset Tuning)

There are two ways to perform the preset tuning. In method A (the direct tuning), select by designating the desired preset station number directly with the numeric buttons. In method B (the scan tuning), select the preset station with the PRESET TUNING +/- button.

Method A: Direct tuning

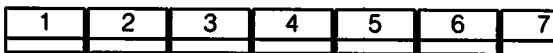


1 Press **TUNER**.

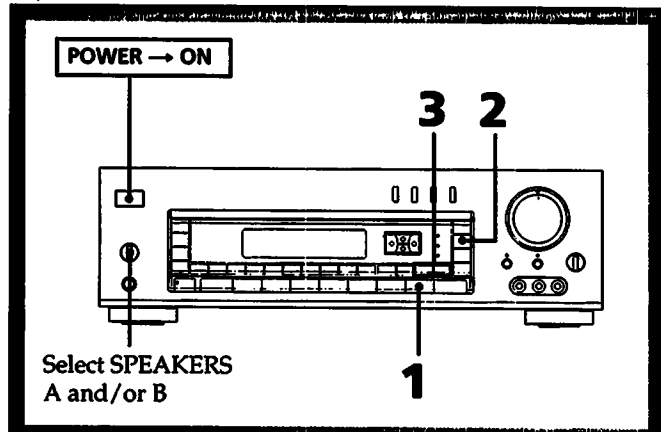
2 Press **SHIFT** to select the memory page (A, B, or C).

Each time **SHIFT** is pressed, A, B or C appears cyclically on the display.

3 Press the numeric buttons to designate the desired preset station number.



Method B: Scan tuning



1 Press **TUNER**.

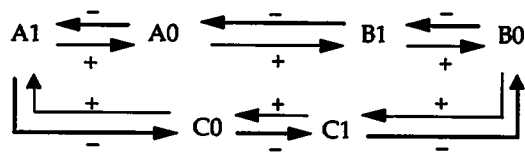
2 Press **DISPLAY** if the frequency is not displayed.

3 Press **PRESET TUNING +** or **-** to select the desired preset station.

For a higher preset number, press **PRESET TUNING +**.

For a lower preset number, press **PRESET TUNING -**.

Each time you press + or -, the preset station of the next higher or lower number is tuned in.

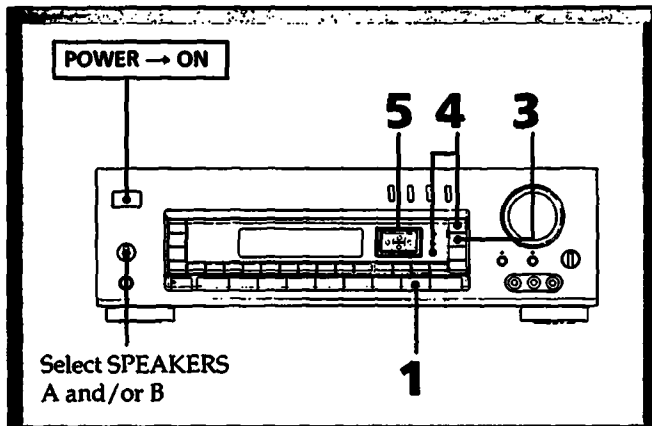


- If you keep pressing + or -, preset stations are successively tuned in. Release the button when the desired preset station is tuned in.

Receiving Broadcasts

Labeling the Preset Stations (Station Index)

You can divide preset stations under index names you create (up to 5 characters). If you want to categorize the preset stations by kinds of music, for example, create indexes such as ROCK, JAZZ, etc.



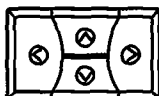
1 Press TUNER.

2 Tune in the desired station with Preset Tuning on page 13.

3 Press DISPLAY if "INDEX MODE" is not displayed.

4 Press DPC MODE repeatedly until the INDEX indicator lights up.

5 Create an index name.



To select a letter (A to Z) or number (1 to 4), press \wedge or \vee .

To change the position, press \lt or \gt .

6 Repeat steps 2 through 4 for all other stations you want to assign an index name to.

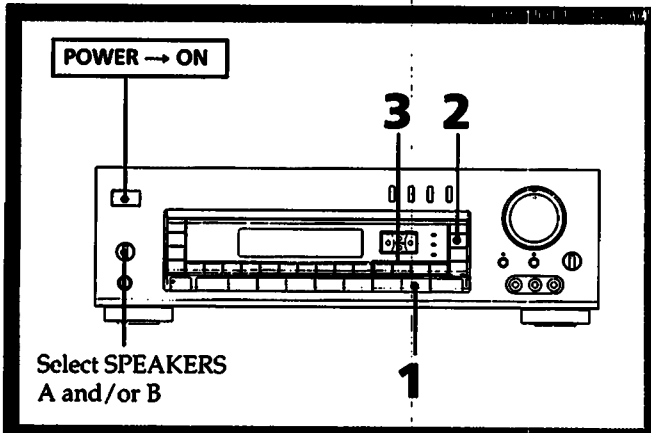
If you store an already categorized station under any other index name

Only the last selected category will be valid. Each station can be stored under only one index name.

To display the frequency and index name of preset stations

Each time DISPLAY is pressed, frequency and index name of the preset station are alternately displayed.

Selecting a Station among the Preset Stations in the Index (Index Tuning)



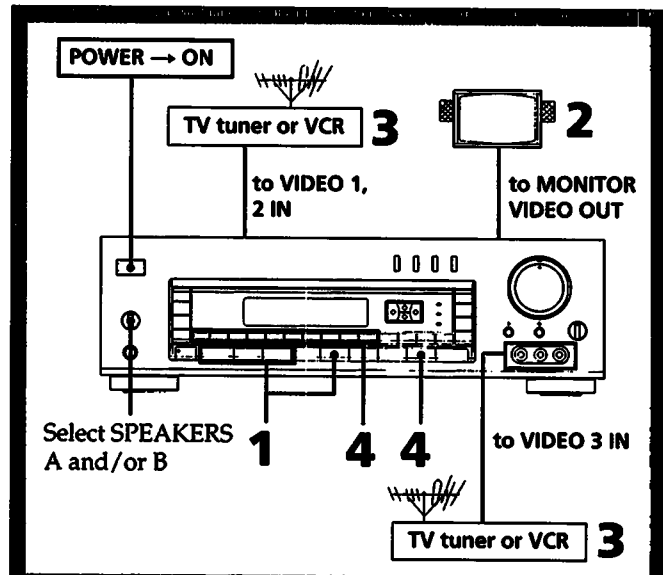
1 Press TUNER.

2 Press DISPLAY to set to the INDEX mode. When no index name is memorized, "-----" appears on the display.

3 Select the desired station.

- To select a station in the same index:
For a higher preset number, press PRESET TUNING +.
For a lower preset number, press PRESET TUNING -.
- To select a index station under other index name:
Press INDEX SELECT/TUNING - or + to display the desired index name.
For a higher preset number, press PRESET TUNING +.
For a lower preset number, press PRESET TUNING -.

Receiving FM Simulcast TV Programs

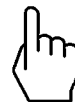
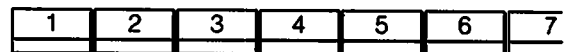


1 Select VIDEO 1, VIDEO 2, VIDEO 3 (STR-D915 only) or TV according to an equipment to which the VHF antenna is connected. "VIDEO 1", "VIDEO 2", "VIDEO 3" or "TV" appears on the display.

2 Turn on the monitor TV.

3 Select the desired program on the TV tuner or the VCR.

4 Press TUNER and tune in the FM simulcast TV program with a numeric button on the receiver.



Remote Controls

Using the Remote

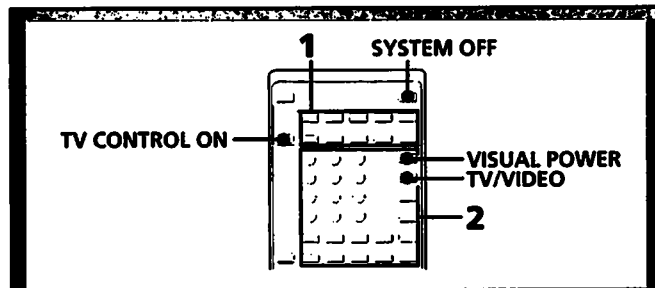
The remote lets you operate the connected components as well as the receiver. Press one of the FUNCTION buttons first to select the program source, then use the following buttons to operate each component.

The FUNCTION buttons are factory set in the following list.

FUNCTION to be pressed	Operating equipment
TUNER	Tuner
TAPE	Tape deck A
DAT/MD	DAT deck
TV	TV
LD	LD player
VIDEO 1	VCR (VTR 1 mode)
VIDEO 2	VCR (VTR 2 mode)
VIDEO 3 (STR-D915 only)	VCR (VTR 3 mode)
CD	CD player
PHONO	(The receiver enters the PHONO mode)

This remote commander can control Sony stereo cassette deck having RMS function. For more information on the availability of Sony stereo cassette deck with RMS capability, contact your nearest Sony dealer.

Turning on the power of each equipment



1 Press one of the SYSTEM CONTROL/FUNCTION buttons.
The receiver and the corresponding equipment are turned on.

2 Operate the units with each button.
The buttons you can operate differ among function mode. See "Operative Buttons".

Turning off the power of equipments

By pressing the SYSTEM OFF button, you can turn off the power of all equipments at one time.

Pressing the VISUAL POWER button would also turn off the TV, VCR, LD player. When you want to turn off the power while listening to a program source, see "Back ground operation" on page 17.

Operative buttons

For FM/AM tuner

To	Press
Select memory pages for preset tuning	SHIFT
Designate preset numbers	Numeric buttons
Scan and select preset stations	CH PRESET +/-
Select station index names	INDEX

For tape deck/DAT/MD recorder

To	Press
Designate numbers	Numeric buttons
Designate number more than 10 (For tape deck and MD recorder)	>10
Fastforward	▶▶
Rewind	◀◀
Skip selections (For DAT and MD recorder)	▶▶, ◀◀
Pause play	
Start play	▶
Start reverse play (For tape deck)	◀
Select the tape running direction (For tape deck having RMS function)	RMS DIRECTION
Stop play	■
Clear the RMS program contents (For tape deck having RMS function)	RMS CLEAR
Start recording (Forward direction)	● + ▶
Start recording (Reverse direction for tape deck)	● + ◀
Program selections (For tape deck having RMS function)	RMS/START

For TV/VCR/LD player

To	Press
Designate channel numbers of TV/VCR or selections of LD player	Numeric buttons
Designate selections of LD player more than 10	>10
Enter the selected TV/VCR channel	ENTER
Select TV to see TV programs and VIDEO to see videos.	TV/VIDEO
Select the output signal from the antenna terminal on the VCR: a TV signal or VCR program (For VCR)	ANT TV/VTR
Select a preset channel of TV or VCR	CH PRESET +/-
Fastforward (For VCR and LD player)	▶▶
Rewind (For VCR and LD player)	◀◀
Pause play (For VCR and LD player)	
Start play (For VCR and LD player)	▶
Stop play (For VCR and LD player)	■
Skip selections (For LD player)	▶▶, ◀◀
Start recording (For VCR)	● + ▶
Turn on the power of TV, VCR, or LD player	VISUAL POWER

For CD player

To	Press
Designate numbers	Numeric buttons
Designate number more than 10	>10
Skip discs	D.SKIP
Search selections	▶▶, ◀◀
Skip selections	▶▶, ◀◀
Pause play	
Start play	▶
Stop play	■

If you use Sony TV

When you press the VIDEO 1, 2, 3 (STR-D915 only), TV or LD button, the power of the TV (VCR or LD player) is also turned on.

When an LD player or VCR is selected, the input of TV switches to VIDEO, and when TV is selected, the input of TV switches to TV reception mode. (When you want to turn on the power of TV and switch the TV input simultaneously, keep pressing the button you have selected until its power is turned on, or press the button again after the TV is turned on.)

If the TV input does not switch to the appropriate mode, switch the input signal by pressing the TV/VIDEO button.

If you use TV most of the time (Only for Sony TV)

You set the remote to operate only the TV. Press the TV CONTROL ON button. The remote buttons would work only with TV. When you press it, the TV turns on and switches to TV reception mode automatically.

(When you want to perform the turning on the power of TV and the switching of the TV input simultaneously, press the TV CONTROL ON button until its power is turned on, or press the button again after the TV is turned on.)

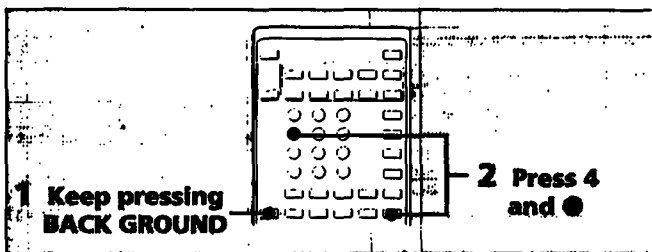
If the TV input does not switch to the appropriate mode, switch the input signal with the TV/VIDEO button.

Back ground operation

You can temporarily operate other components while listening to/watching a program source.

Press one of the numeric button* in which a function is stored and an operation button at the same time while pressing BACK GROUND button. The operative buttons are VISUAL POWER, TV/VIDEO, CH PRESET +/-, ANT TV/VTR, D.SKIP, ▶▶, ◀◀, ■, ▶▶, ◀◀, ▶▶, ◀◀, ||, ●.

Example: To record the CD being played on tapes.



* For stored functions in numeric buttons, see the table in "Changing the Settings of the FUNCTION buttons".

Note

You can record only in the forward direction with back ground operation.

Changing the Settings of the FUNCTION Buttons

You can replace the functions stored in the FUNCTION buttons.

Hold down one of the FUNCTION buttons you want to change and press one of the numeric (1 to 0) buttons to select the desired function.

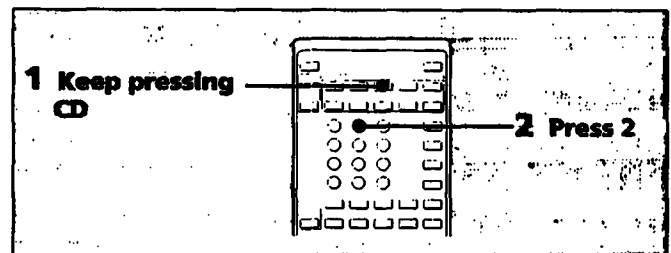
After changing the setting of the FUNCTION button, the equipment can be operated with the FUNCTION button you have changed.

To return the function to the initial mode, perform the same operation above.

With the numeric buttons from 1 to 0, each function can be selected as described in the following table:

Numeric buttons	The function to be selected
1	CD player
2	DAT deck
3	MD recorder
4	DECK A
5	DECK B
6	LD player
7	VCR 1 (Remote control mode)
8	VCR 2 (Remote control mode)
9	VCR 3 (Remote control mode)
0	TV

Example: To change the CD FUNCTION button to the DAT function button.



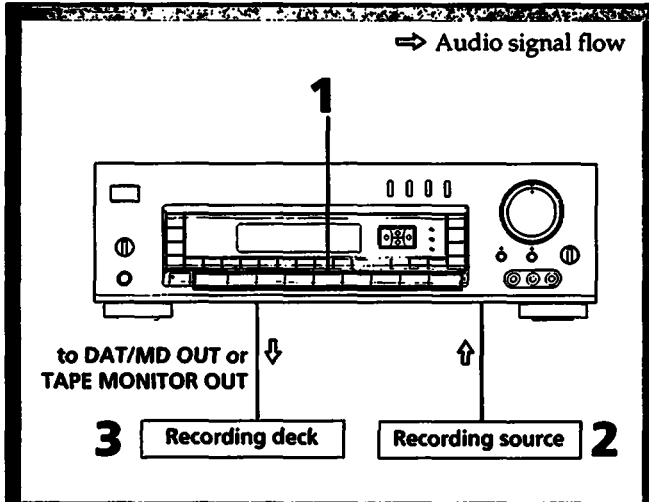
Note

The settings of the TUNER button and the PHONO button cannot be changed.

Recording an Audio Source

Recording on a Tape

You can record and make copies of audio program sources on a tape, DAT or MD using the receiver. See your tape deck, DAT deck or MD recorder's instruction manual if you need help.



- 1** Press a function button to select the recording source.
- 2** Set the recording source to be ready for playback.
For example, tune in the desired station for an FM/AM broadcast.
- 3** Insert a blank tape into the recording deck and adjust the recording level, if necessary.
- 4** Start recording on the recording deck and then start playing the recording source.

Note

When you record on a DAT deck or MD recorder connected to the DAT/MD REC OUT jacks, the sound field and low boost settings have no effect on recording.

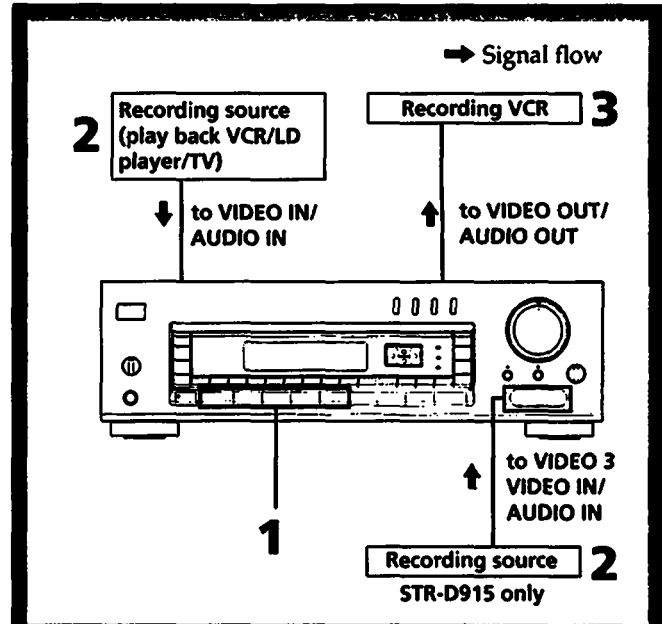
You can monitor the sound being recorded on a tape

If you have connected a 3-head tape deck to the TAPE MONITOR jacks, press TAPE MONITOR while recording or dubbing, so that the TAPE MONITOR indicator lights up and you can monitor the recording results. To listen to the source sound, press the button again until the indicator goes off.

Editing a Video Source

Recording on a Video Tape

You can record and make copies of programs from other VCR, LD player or TV using the receiver. See your VCR, LD player or TV's instruction manual if you need help.



- 1** Press a function button to select the recording source.
- 2** Set the recording source to be ready for playback.
For example, insert a source tape you want to record from into the playback VCR.
- 3** Insert a blank video tape into the recording VCR.
- 4** Start recording on the recording VCR and then start playing the recording source.

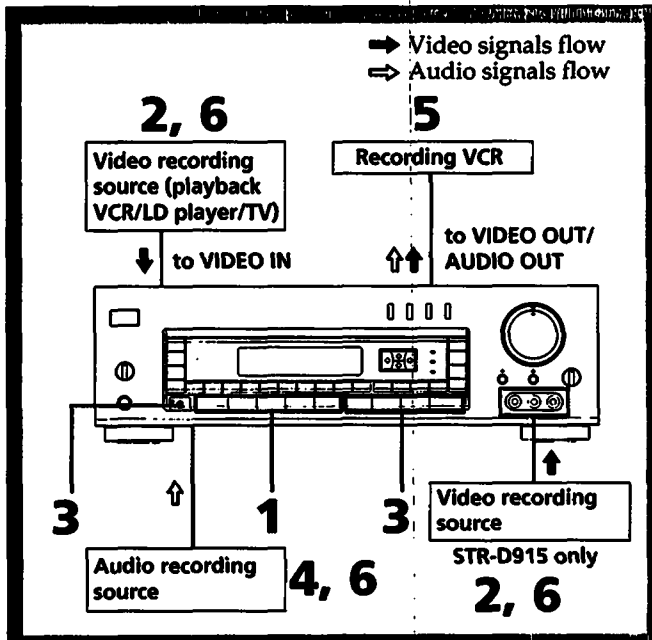
Adding New Sound on a Video Tape during Video Editing

You can record audio from various audio program sources while recording video, LD or TV programs on a video tape instead of their original sound. See your VCR, LD player or TV's instruction manual if you need help.

To record other audio on a desired part of video

After step 5, play back the video recording source and press the pause button on it at the point where you want to record other audio.

Start recording on the recording VCR, release the pause mode and start playing the audio recording source.



- 1** Press a function button to select the video recording source
- 2** Set the video recording source to be ready for playback.
- 3** Press a function button to select the audio recording source.
- 4** Set the audio recording source to be ready for playback.
- 5** Insert a blank video tape into the recording VCR.
- 6** Start recording on the recording VCR and then start playing the both video and audio recording source.

Obtaining the Surround Sound

This section describes about selecting the speaker configuration and then adjusting the speaker volume and the delay time of the rear speakers so that you can enjoy the Dolby surround sound.

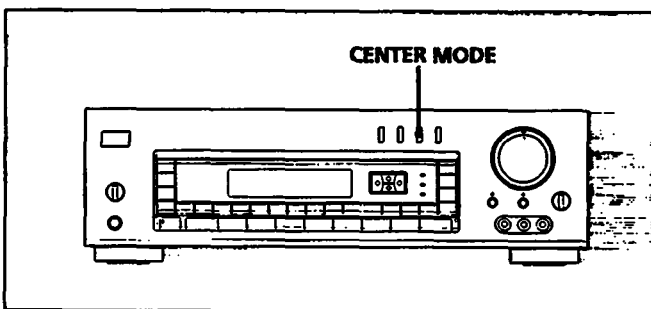
Placement of Speakers and Selecting the CENTER MODE for Dolby Surround Sound

The Dolby Pro Logic Surround Decoder has the same functions for playback as movie theaters and gives a theater-like experience in your listening room, naturally reproducing the audio sound field.

The STR-D915/D715 incorporates a decoder which reproduces the specially encoded surround sound of Dolby surround video programs.

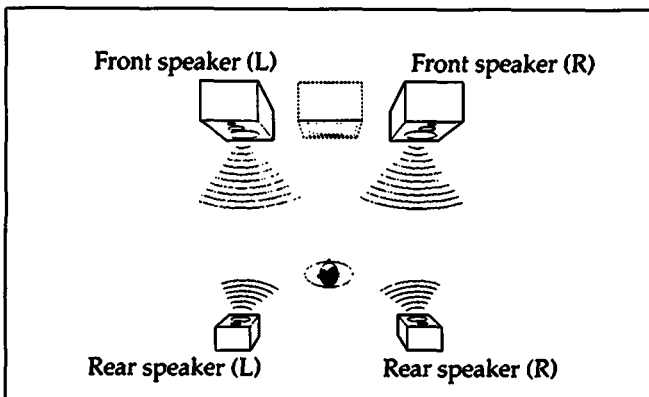
In the DOLBY SUR or THEATER mode, select the speaker operation mode according to your speaker configuration by pressing the CENTER MODE button. Each time the CENTER MODE button is pressed, the CENTER MODE is changed in the following order:

▶ PHANTOM → 3 CH LOGIC → NORMAL → WIDE



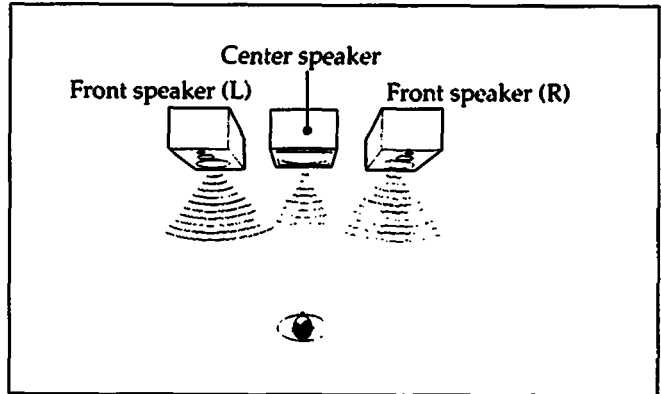
PHANTOM mode

Select this mode when you play back a Dolby surround program source without using a center speaker. The sound of the center channel is output from the front (L and R) speakers.



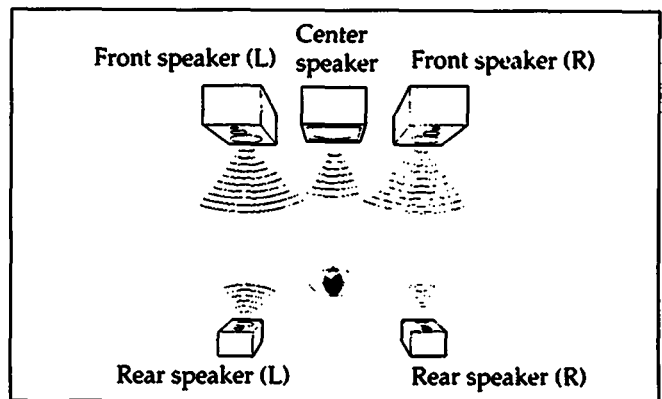
3CH (Channel) LOGIC mode

Select this mode when you play back a Dolby surround program source only with the front and center speakers. The sound of the rear channel is output from the front (L and R) speakers.



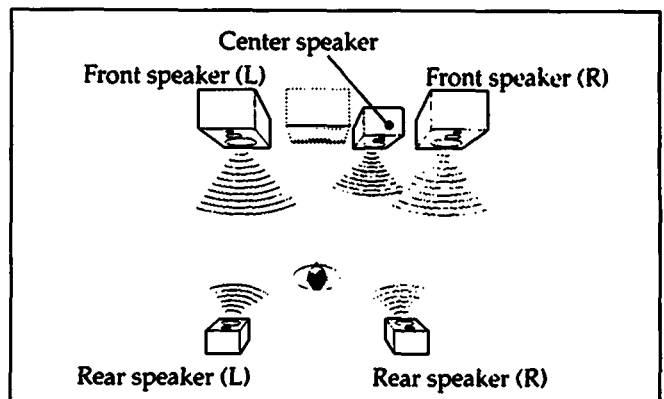
NORMAL mode

Select this mode if you use a small center speaker. The bass sound of the center channel is output from the front speakers, as a small speaker cannot produce enough bass.




WIDE mode

Select this mode if you use a medium to big center speaker.

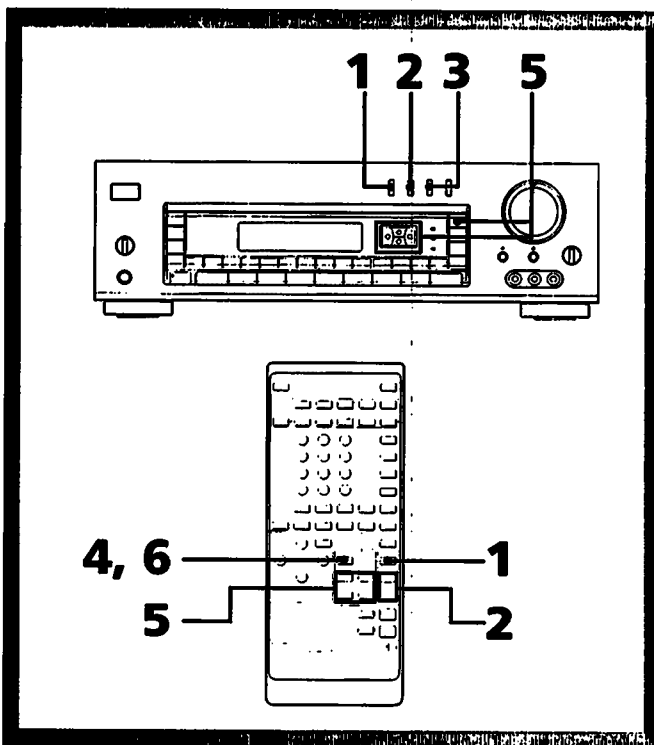


Note

The Dolby Pro Logic Surround Decoder is a system to decode the software carrying the  mark.

Adjusting the Speaker Volume

To enjoy surround sound to the maximum on playing any program source, adjust the front, rear, and center (if connected) speakers to the same volume level. The level once adjusted can be used for all surround modes. You can adjust the volume level from your listening position by using the remote commander.



1 Press **SOUND FIELD ON/OFF** to ON.
The last selected sound field indicator lights.

2 Press **SOUND FIELD MODE** repeatedly until **DOLBY SUR** indicator lights.

- ACOUSTIC
- DOLBY SUR
- THEATER
- LIVE
- HALL
- DANCE

3 Press **CENTER MODE** on the front panel repeatedly until a desired mode (**PHANTOM**, **3CH LOGIC**, **NORMAL** or **WIDE**) is displayed.
The mode should be selected according to your speakers system.

4 Press **TEST TONE** on the remote commander.
The test tone is heard from each speaker sequentially.

5 Adjust the volume level so that the sound from each speaker will be the same level at the listening position.

To adjust the level of center speaker
Press **CENTER LEVEL +/-** on the remote commander.

To adjust the level of rear speakers
Press **REAR LEVEL +/-** on the remote commander.

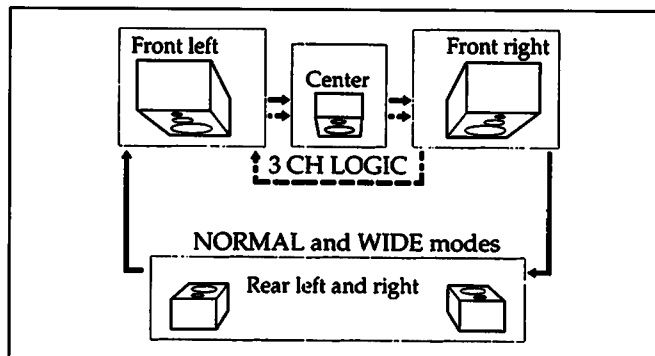
When operating with buttons on the front panel.
To adjust the level of center speaker
Press **^** or **v**.
To adjust the level of rear speakers
Press **<** or **>**.

(When adjusting the **VOLUME** control on the receiver, all speakers are adjusted simultaneously.)

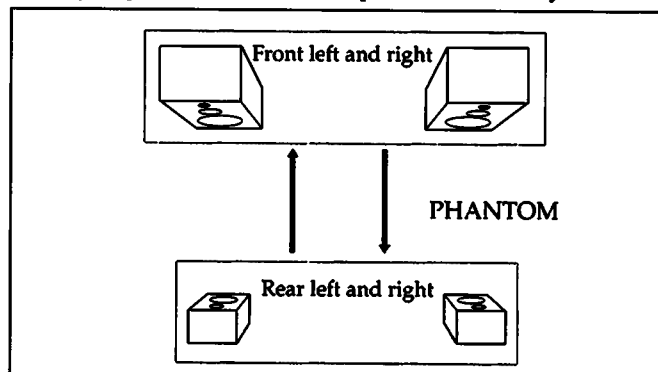
6 Press **TEST TONE** on the remote commander to set to off.

Sequence of the test tone

In a system with a center speaker:
The test tone will be heard automatically from the front L, center, front R, and the rear speakers in succession.



In a system without a center speaker:
The test tone will be heard automatically from the front left and right speakers and the rear speakers alternately.



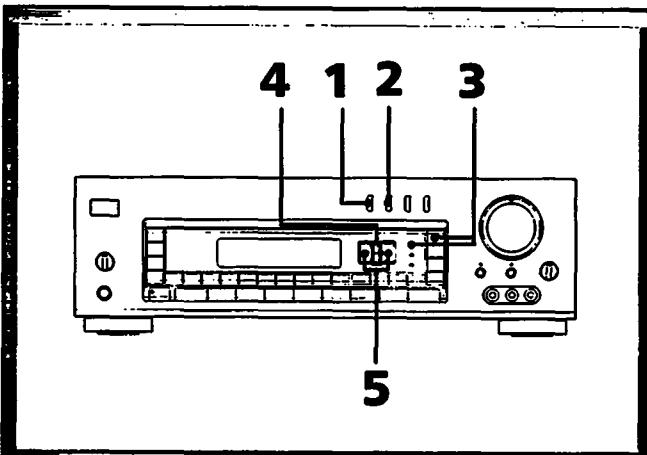
The receiver is preset in the factory to get an optimum surround level as long as each speaker has an equal efficiency.

Obtaining the Surround Sound

Adjusting the Delay Time of the Rear Speakers

— for DOLBY SUR (Dolby surround) mode

The delay time is a time between the surround sound from the front and that from rear speakers. The delay time is adjustable from 15 ms to 30 ms. For the adjustable range of the delay time except for the DOLBY SUR mode, see page 23.



- 1** Press **SOUND FIELD ON/OFF** to **ON**.
The last selected sound field indicator lights.
- 2** Press **SOUND FIELD MODE** repeatedly until the **DOLBY SUR** indicator lights.
- 3** Press **DPC MODE** repeatedly until the **SUR** (surround) indicator lights.
- 4** Press **^** or **v** to select the delay time mode.
- 5** Press **<** or **>** to adjust the delay time.

To turn off the surround effect

Press **SOUND FIELD ON/OFF** to **OFF**.

The sound without surround effect will resume.

The settings of the center and rear level and the delay time are not cleared until you change the settings. They will be recalled whenever you select a sound field program.

Note

The delay time for the rear speakers can be adjusted even in the 3 CH LOGIC mode.

Sound Field Settings

Available Type of Effects

6 recommended sound field programs (combination of the settings of the surround and tone control.) have been preset in the factory. Since these programs are appropriate for the most type of music and listening situations, you can enjoy the sound effect by selecting the desired sound field program according to the program source. And you can also manipulate various parameters to finely tune the factory-preset settings to your room, or create original sound effects as you like.

Sound field Parameter		DOLBY SUR	THEATER	LIVE	HALL	DANCE	ACOUSTIC
		Tone	•	•	•	•	•
Surround sound	Delay time	•	•	•	•	•	/
	Rear level	•	•	•	•	•	/
	Center level	•	•	/	/	/	/

DOLBY SUR: Decodes programs processed with the Dolby surround.

THEATER: Adds the reflection of a theater to decoded signals of the Dolby pro logic decoder.

LIVE: Reproduces the acoustics of a large concert hall. It is effective for playing a program source with hard sound.

HALL: Reproduces the acoustics of a rectangular concert hall with soft sound.

DANCE: Boosts high and low frequencies and the dynamic sounds are reproduced.

ACOUSTIC: The surround effect is defeated and only the tone control is available.

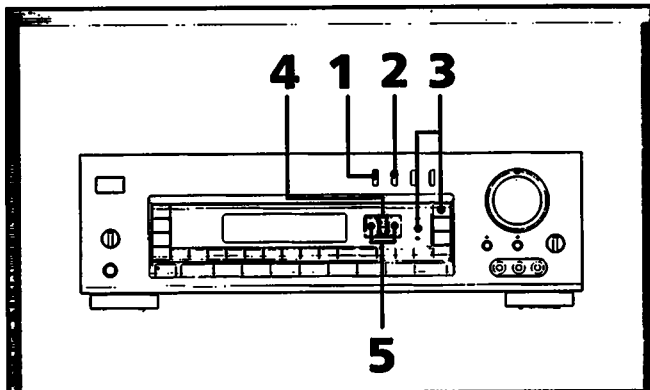
**Adjusting the delay time of the rear speakers
(Except for DOLBY SUR mode)**

THEATER, LIVE, HALL, DANCE : 5 - 30 ms.

Sound Field Settings (Continued)

Adjusting the Sound Field Programs

Adjusting the tone control

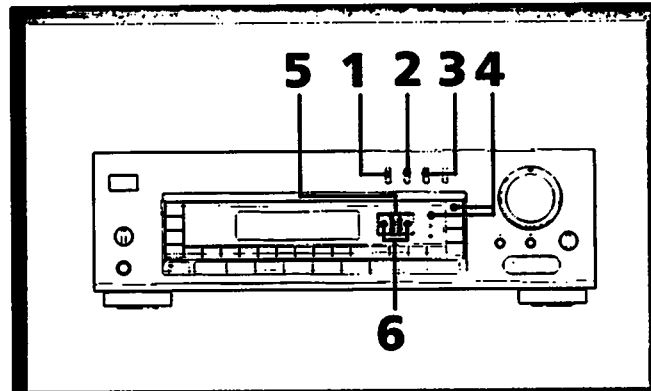


- 1** Press **SOUND FIELD ON/OFF** to **ON**.
The last selected sound field indicator lights.
- 2** Press **SOUND FIELD MODE** repeatedly until the desired **SOUND FIELD** program is displayed.
- 3** Press **DPC MODE** repeatedly until the **TONE** indicator lights.
- 4** Press **<** or **>** to select **BASS** or **TREBLE**.
- 5** Press **^** or **v** to adjust the level.

To cancel the tone effect

Press **TONE ON/DEFEAT** on the front panel or **EQ/TONE ON/OFF** on the remote commander. The sound processed only with the surround settings is heard.

Adjusting the surround sound parameters



- 1** Press **SOUND FIELD ON/OFF** to **ON**.
The last selected sound field indicator lights.
- 2** Press **SOUND FIELD MODE** repeatedly until the desired **SOUND FIELD** program is displayed.
- 3** If you select **DOLBY SUR** or **THEATER** on step 2, press **CENTER MODE** to select **PHANTOM**, **3CH LOGIC**, **NORMAL** or **WIDE**.
- 4** Press **DPC MODE** repeatedly until the **SUR** (surround) indicator lights.
- 5** Press **^** or **v** to select the desired parameter (delay time, rear or center level).
- 6** Press **<** or **>** to adjust the level of the parameter.
After setting the surround program, the setting is stored automatically.

When you store a new sound field effect

The previous sound field effect is erased and the new one will be replaced.

Even if AC power cord is disconnected

The stored data is maintained for approximately 1 month.

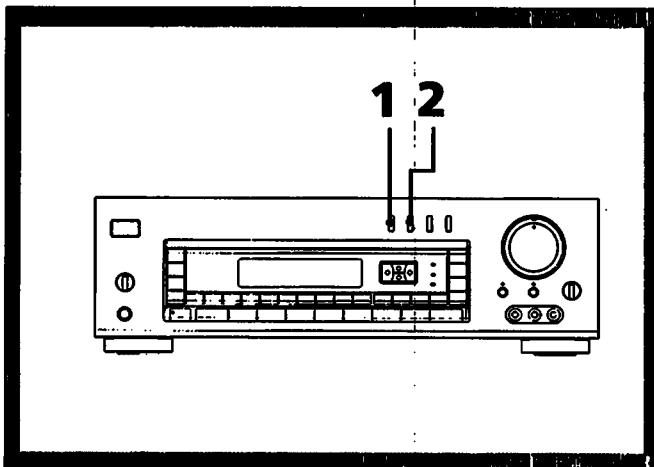
When selecting ACOUSTIC

ACOUSTIC does not have the surround effect and only the tone effect can be available. So when selecting **ACOUSTIC**, only the tone setting can be adjusted.

Note

Only one sound field program will be stored in a function. Each time you select the function, the sound field program previously stored in the function will be called up.

Calling up the Sound Field Setting



1 Press **SOUND FIELD ON/OFF** to ON.
The last selected sound field indicator lights.

2 Press **SOUND FIELD MODE** repeatedly
until the desired **SOUND FIELD** program is
displayed.

Restoring to the setting stored at the factory

Press **POWER** while pressing **TONE ON/DEFEAT** on the front panel. All of the 6 settings are then restored.

Troubleshooting Guide

Before proceeding through the check list below, examine the connections and the procedures outlined in the manual.
Should any problem persist after you have checked the following items, consult your nearest Sony dealer.

Problem	Cause	Solution
No FM station can be located by Automatic tuning operation.	The signal strength of the stations is too weak.	Press TUNING LEVEL to set the receiving signal level low. Check the antenna connection.
The STEREO indicator flickers or does not appear when receiving stereo programs.	A very weak FM station or a noisy FM program is received.	Adjust the antenna or connect an external FM antenna. Press FM MODE to set to MONO mode.
No station can be tuned in by Automatic tuning operation.	The AM tuning interval is set incorrectly. (For U.S.A. and Canada models) The signal strength of the station is too weak for Automatic tuning.	Change the tuning interval according to the AM frequency allocation system of your country. (See page 29) Adjust the antenna. Directly tune in the stations. (See page 11)
No stations can be tuned in with scan tuning.	No stations have been preset.	Preset the stations. (See page 12)
No sound is heard even if you adjust VOLUME.	The speaker or program source equipment is not connected correctly. The SPEAKERS selector is not set correctly. The TAPE MONITOR button has been pressed. (The indicator is lit.) A wrong function selector has been pressed. The function switch on the VCR is not set correctly.	Connect the equipment correctly. Set the selector correctly. Press the button so that the indicator goes out. The tape monitor function will be canceled. Press the correct function selector. Check and set it correctly.
Sound is heard only at a very low volume.	MUTING has been pressed. (The MUTING indicator is lit.)	Press the button to cancel the muting function.
One channel does not transmit audio, or the volume from the left and right speakers is unbalanced.	The BALANCE control is not set appropriately. The speaker or program source is not connected correctly.	Adjust the BALANCE control. Check and properly connect the equipment.

Problem	Cause	Solution
There is an abrupt loss of sound from one or both of the speakers, and the PROTECTOR indicator flickers on the display.	A short-circuit problem activates the protective circuit.	Turn off the unit, eliminate the short-circuit problem and turn on the power again. If there is no short-circuit problem, consult your nearest Sony dealer.
Sound transmitted from the speakers is reversed.	The speakers are not connected correctly.	Connect the right speaker to the R SPEAKER terminals and the left speaker to the L SPEAKER terminals.
There is lack of bass sound or the instrument position is obscure.	The \ominus/\oplus connection of the speaker is reversed.	Connect the speaker with the correct phase.
Severe hum or noise is heard.	The connecting cords are not shielded type.	Use shielded type cords.
	A transformer, motor, TV or fluorescent light affects the connecting cords.	Place the connecting cords in a location away from a transformer or motor, and at least 3 meters (10 feet) from a TV set or a fluorescent light.
	The audio components are too close to a TV set.	Place TV away from the audio components.
	The unit is not grounded.	Connect the ground wire to the antenna ground terminal.
	The connections are loose.	Make secure connections.
No sound or sound at very low level is heard from rear speakers.	The plugs and jacks are dirty.	Wipe the plugs and jacks with a cloth lightly dampened with alcohol.
	The SOUND FIELD circuit is turned off.	Press SOUND FIELD ON/OFF to ON.
	The CENTER MODE button is set to 3 CH LOGIC.	Set it to WIDE, PHANTOM or NORMAL according to your speaker system.
Surround effect cannot be obtained.	The SOUND FIELD circuit is turned off.	Press SOUND FIELD ON/OFF to ON.
The remote commander will not operate.	The batteries are exhausted.	Replace the batteries with new ones.
	The commander head is not pointed toward the unit's front.	Point the commander head toward the receiver.
	The mode of the remote commander is not the same as the receiver.	Press the desired FUNCTION button on the remote commander again.

Specifications

(For U.S.A. and Canadian models)

Audio Power Specifications

POWER OUTPUT AND TOTAL HARMONIC DISTORTION

With 8-ohm load, both channels driven, from 20 - 20,000 Hz, rated 110 watts (STR-D915) or 100 watts (STR-D715) per channel minimum RMS power, with no more than 0.3 % total harmonic distortion from 250 milliwatts to rated output. (U.S. A. model only)

Other Specifications

Amplifier section

Continuous RMS power output (8 ohms, at 20 Hz - 20 kHz less than 0.3 % total harmonic distortion) (FRONT)

STR-D915: 118 W + 118 W

STR-D715: 110 W + 110 W

Surround mode

	Surround mode (8ohms at 1 kHz, THD 0.8 %)	
	STR-D915	STR-D715
FRONT	100 W/ch	80 W/ch
CENTER*	100 W	80 W
REAR	25 W	25 W

* (only in the DOLBY SUR and THEATER modes)

Dynamic power output

STR-D915: 160 W + 160 W (8 ohms)
225 W + 225 W (4 ohms)

STR-D715: 155 W + 155 W (8 ohms)
220 W + 220 W (4 ohms)

Harmonic distortion at rated output

Less than 0.3 %

Frequency response

PHONO: RIAA equalization curve
±0.5 dB

CD, DAT/MD, TAPE MONITOR,
VIDEO 1, 2, 3*: 10 Hz - 50 kHz, ±0.5 dB

* STR-D915 only

Inputs

	Sensitivity	Impedance	S/N Short A Net / 78 IHF A Net
PHONO (MM)	2.5 mV	50 kilohms	75 dB/75 dB
CD	300 mV	50 kilohms	82 dB/82 dB
DAT/MD, TV, LD, VIDEO 1, 2, 3*, TAPE MONITOR	250 mV	50 kilohms	82 dB/82 dB

* STR-D915 only

Outputs

REC OUT VIDEO 1, 2 (AUDIO) OUT	Voltage 250 mV Impedance 10 kilohms
HEADPHONES	Accepts low and high impedance headphones

MUTING -20 dB

LOW BOOST +10 dB at 70 Hz

TONE ±8 dB at 100 Hz and 10 kHz

FM tuner section

Tuning range	87.5 – 108.0 MHz
Antenna terminals	75 ohms, unbalanced
Sensitivity (at 50 dB):	18.3 dBf, 4.5 μ V (mono) 38.3 dBf, 45 μ V (stereo)
Usable sensitivity	11.2 dBf, 2 μ V (IHF)
S/N	Mono: 76 dB Stereo: 70 dB
Harmonic distortion at 1 kHz	Mono: 0.3 % Stereo: 0.5 %
Separation	45 dB at 1 kHz
Frequency response	30 Hz – 15 kHz $^{-0.5}$ dB
Selectivity	60 dB at 400 kHz

AM tuner section

Tuning range	530 – 1710 kHz (with 10 kHz interval*) 531 – 1710 kHz (with 9 kHz interval)
Antenna	Loop antenna
Usable sensitivity	50 dB/m (at 1,000 kHz or 999 kHz)
S/N	54 dB (at 50 mV/m)
Harmonic distortion	0.5% (50 mV/m, 400 Hz)
Selectivity	35 dB (9 kHz), 40 dB (10 kHz)

- * You can change the AM tuning interval to 9 kHz. After tuning in any AM station, turn-off the power of receiver once. While holding down the TUNING + button, press the POWER switch. When you change the interval, all the preset stations will be erased. To reset the interval, repeat the same procedure.

Video section

Inputs	STR-D915: VIDEO 1,2,3: 1 Vp-p 75 ohms STR-D715: VIDEO 1,2: 1 Vp-p 75 ohms
Outputs	VIDEO 1, 2, MONITOR: 1 Vp-p 75 ohms

General

System	Tuner section: PLL quartz-locked digital synthesizer system Low-noise NF type equalizer Power amplifier section: Pure-complimentary SEPP
Preamplifier section	120 V AC, 60 Hz
Power requirements	120 V AC, 60 Hz
Power consumption (in standby condition: 5W)	STR-D915: USA model: 210 W Canada model: 305 VA STR-D715: USA model: 195 W Canada model: 280 VA
AC outlets	Two switched, total 120 W
Dimensions	430 x 148 x 355 mm (17 x 5 $\frac{7}{8}$ x 14 inches)
Mass	STR-D915: 10.0 kg (22 lb 1 oz) STR-D715: 9.7 kg (22 lb 7 oz)
Supplied accessories	FM wire antenna (1) AM loop antenna (1) Remote commander (1) Sony Batteries SUM-3(NS) (2)

Design and specifications are subject to change without notice.

Specifications

(For Australian model)

Amplifier section

Continuous RMS power output (8 ohms, at 20 Hz - 20 kHz less than 0.7 % total harmonic distortion) (FRONT)

110 W + 110 W

Surround mode

Surround mode (8 ohms at 1 kHz, THD 0.8 %)

FRONT: 100 W/ch

CENTER*: 100 W

REAR: 25 W

* (only in the DOLBY SUR and THEATER modes)

Frequency response PHONO: RIAA equalization curve
±0.5 dB
CD, DAT/MD, TAPE MONITOR,
VIDEO 1, 2, 3: 10 Hz - 50 kHz ±0.1 dB

Inputs

	Sensitivity	Impedance	S/N Short A Net/'78 IHF A Net
PHONO (MM)	2.5 mV	50 kilohms	75 dB/75 dB
CD	300 mV	50 kilohms	82 dB/82 dB
DAT/MD, TV, LD, VIDEO 1, 2, 3, TAPE MONITOR	250 mV	50 kilohms	82 dB/82 dB

Outputs

REC OUT VIDEO 1, 2 (AUDIO) OUT	Voltage 250 mV Impedance 10 kilohms
HEADPHONES	Accepts low and high impedance headphones

MUTING -20 dB
LOW BOOST +10 dB at 70 Hz
TONE ±8 dB at 100 Hz and 10 kHz

FM tuner section

Tuning range 87.5 - 108.0 MHz
Antenna terminals 75 ohms, unbalanced
Sensitivity (at 46 dB): 18.3 dBf, 4.5 µV (mono)
38.3 dBf, 45 µV (stereo)
Usable sensitivity 11.2 dBf, 2 µV (IHF)
S/N Mono: 70 dB
Stereo: 66 dB

Harmonic distortion at 1 kHz

Mono: 0.3 %

Stereo: 0.5 %

Separation 45 dB at 1 kHz
Frequency response 30 Hz - 15 kHz ±0.5 dB
Selectivity 60 dB at 400 kHz

AM tuner section

Tuning range 531 - 1602 kHz
Antenna Loop antenna
Usable sensitivity 50 dB/m (at 1,000 kHz or 999 kHz)
S/N 54 dB (at 50 mV/m)
Harmonic distortion 0.5% (50 mV/m, 400 Hz)
Selectivity 35 dB (9 kHz), 40 dB (10 kHz)

Video section

Inputs VIDEO 1, 2, 3: 1 Vp-p 75 ohms
Outputs VIDEO 1, 2, MONITOR:
1 Vp-p 75 ohms

General

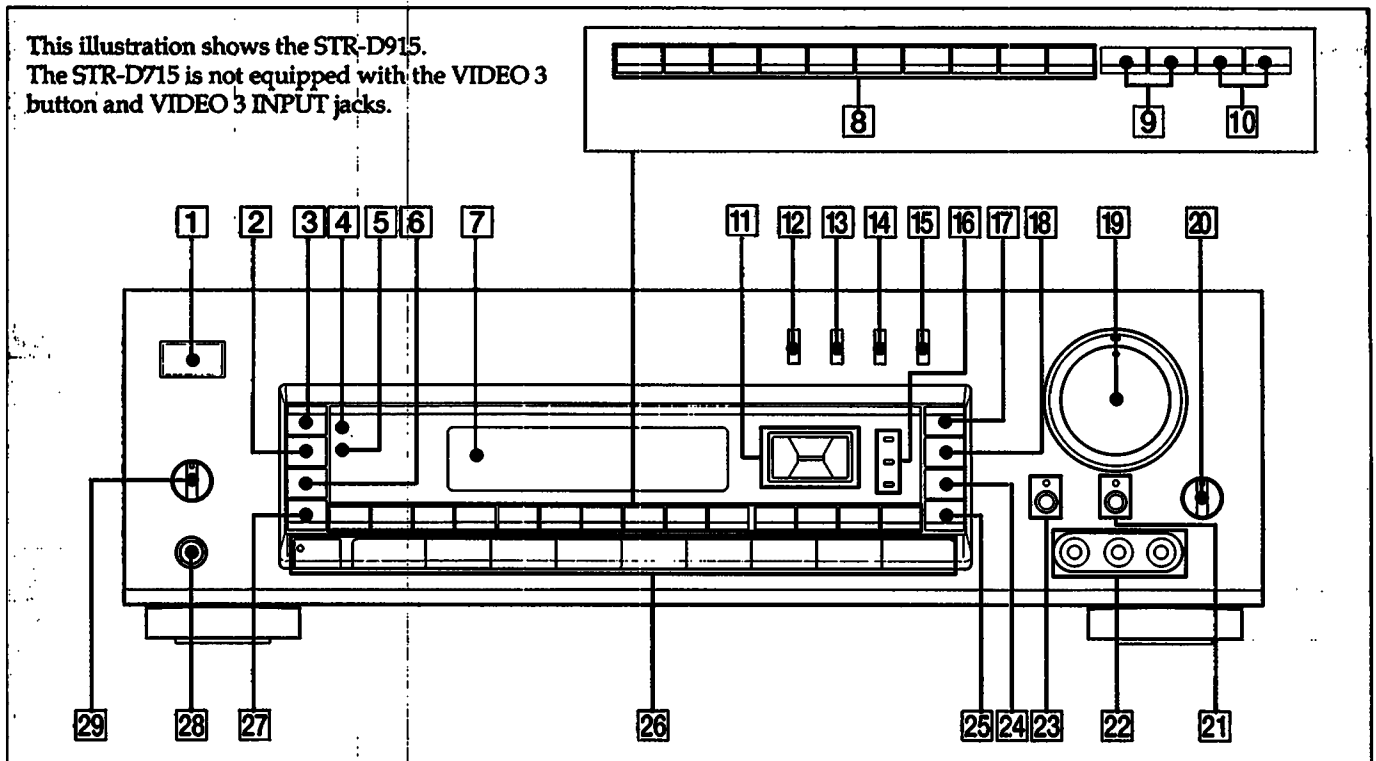
System Tuner section: PLL quartz-locked digital synthesizer system
Preamplifier section Low-noise NF type equalizer
Power amplifier section: Pure-complimentary SEPP
Power requirements 240 V AC, 50 Hz
Power consumption (in standby condition: 5W)
220 W
AC outlets One switched, 100 W
Dimensions 430 x 148 x 355 mm
(17 x 5 7/8 x 14 inches)
Mass 10.0 kg (22 lb 1 oz)
Supplied accessories FM wire antenna (1)
AM loop antenna (1)
Remote commander (1)
Sony Batteries SUM-3(NS) (2)

Design and specifications are subject to change without notice.

Identifying the Parts and Controls

Front Panel

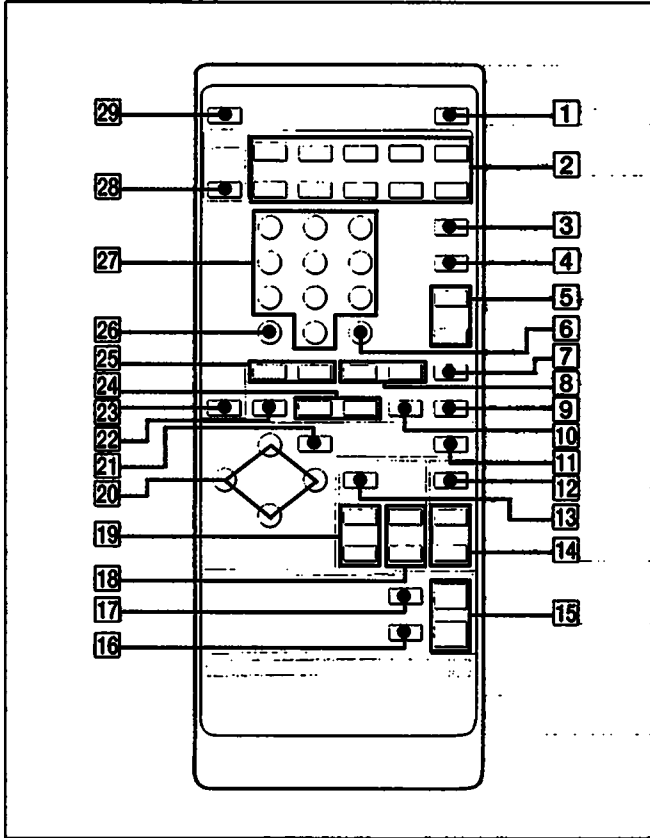
This illustration shows the STR-D915.
The STR-D715 is not equipped with the VIDEO 3 button and VIDEO 3 INPUT jacks.



- 1 POWER switch**
- 2 FM MODE button** (See page 11.)
- 3 FM/AM button** (See pages 11, 12.)
- 4 Remote sensor**
- 5 STANDBY indicator**
(The STANDBY indicator lights up when the power cord is connected.: STR-D915 for Australian model only)
- 6 LEVEL button** (See page 12.)
- 7 Display window**
- 8 Numeric buttons** (See pages 11, 12, 13, 15.)
- 9 INDEX SELECT/TUNING +/- buttons**
(See pages 12, 15.)
- 10 PRESET TUNING +/- buttons** (See pages 13, 15.)
- 11 DIGITAL PROCESSING CONTROL buttons** (See pages 10, 14, 21, 22, 24.)
- 12 SOUND FIELD ON/OFF button** (See pages 21, 22, 24, 25.)
- 13 SOUND FIELD MODE button** (See pages 21, 22, 24, 25.)
- 14 CENTER MODE button** (See pages 20, 21, 24.)
- 15 TONE ON/DEFEAT button** (See pages 24, 25.)
- 16 DPC MODE indicators**
- 17 DPC MODE button** (See pages 10, 14, 21, 22, 24.)
- 18 DISPLAY button** (See pages 10, 12, 13, 14, 15.)
- 19 MASTER VOLUME control** (See page 9.)
- 20 BALANCE control** (See page 9.)
- 21 LOW BOOST button and indicator** (See page 9.)
- 22 VIDEO 3 INPUT jacks** (STR-D915 only)
- 23 MUTING -20 dB button and indicator** (See page 9.)
- 24 SHIFT button** (See pages 12, 13.)
- 25 DIRECT button** (See page 11.)
- 26 Function selectors and TAPE MONITOR button and indicator** (VIDEO 3 button: STR-D915 only)
(See pages 9, 10, 18.)
- 27 MEMORY button** (See page 12.)
- 28 HEADPHONES jack**
- 29 SPEAKERS selector** (See page 9.)

Identifying the Parts and Controls

Remote Commander (Except for The STR-D915 for Canadian Model)

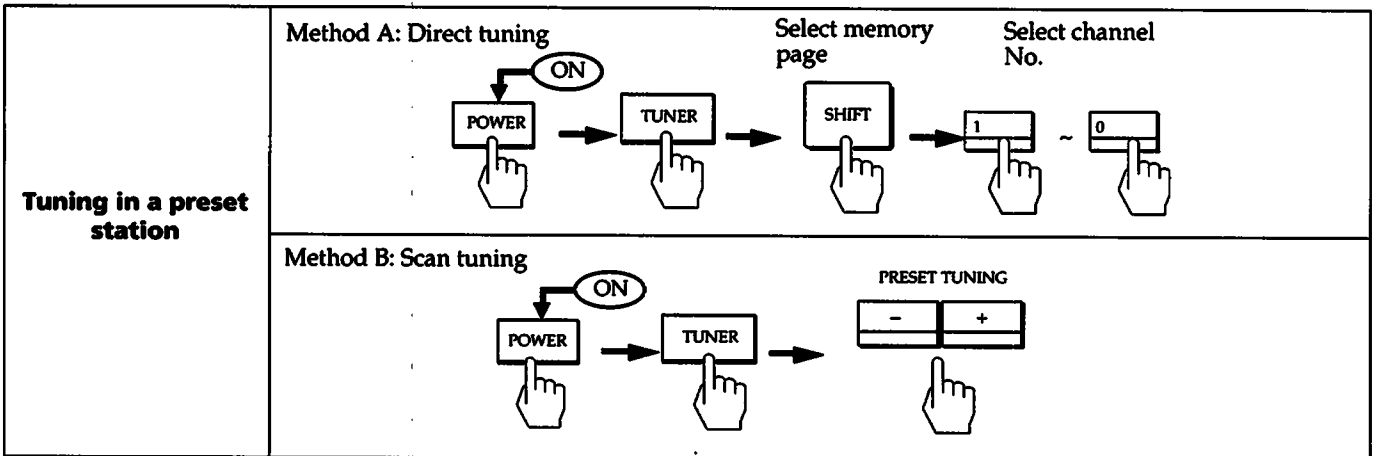
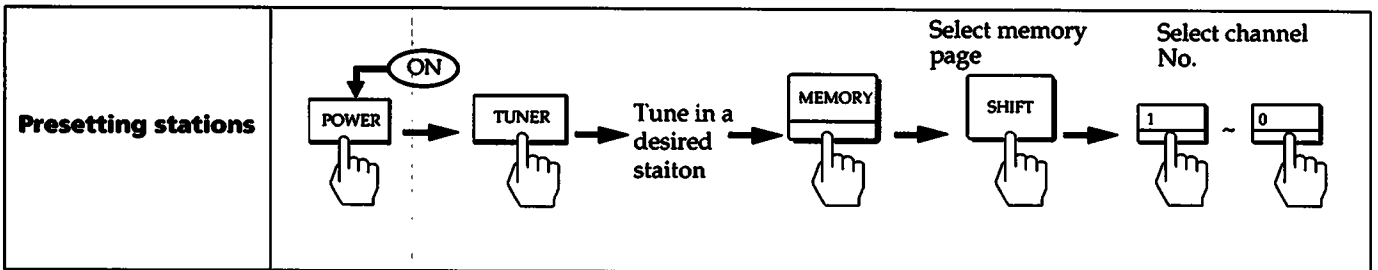
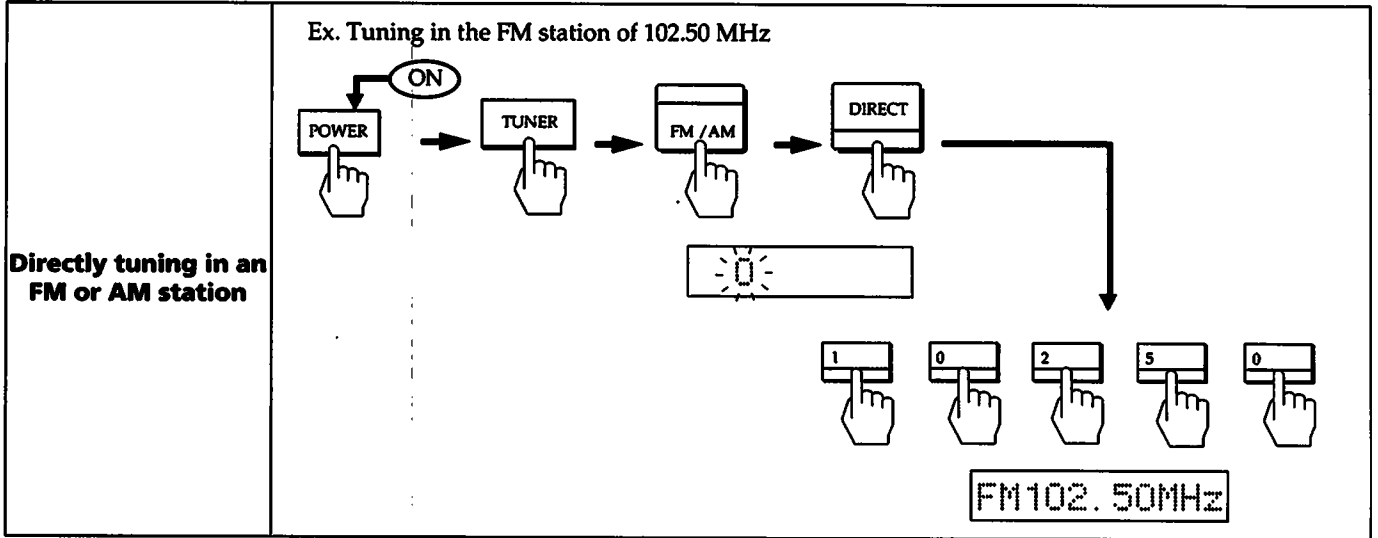


- 1** SYSTEM OFF button (See page 16.)
- 2** SYSTEM CONTROL/FUNCTION TAPE, DAT/MD, CD, TUNER, PHONO, VIDEO 1 VIDEO 2, VIDEO 3, LD, TV buttons (See pages 9, 16, 18.)
- 3** VISUAL POWER button (See page 16.)
- 4** TV/VIDEO, INDEX button (See page 16.)
- 5** CH/PRESET +/- buttons (See page 16.)
- 6** RMS/START, ENTER button (See pages 16, 17.)
- 7** ANT TV/VTR, D (disc) SKIP button (See pages 16, 17.)
- 8** ◀◀, ▶▶ button (See pages 16, 17.)
- 9** ● button (See pages 16, 17.)
- 10** || button (See pages 16, 17.)
- 11** EQ/TONE ON/OFF button (See page 24.)

- 12** SOUND FIELD ON/OFF button (See pages 21, 22, 24, 25.)
- 13** TEST TONE button (See page 21.)
- 14** SOUND FIELD MODE +/- buttons (See pages 21, 22, 24, 25.)
- 15** MASTER VOL +/- buttons (See page 9.)
- 16** MUTING button (See page 9.)
- 17** LOW BOOST button (See page 9.)
- 18** CENTER LEVEL +/- buttons (See page 21.)
- 19** REAR LEVEL +/- buttons (See page 21.)
- 20** DIGITAL PROCESSING CONTROL buttons (See pages 10, 14, 21, 22, 24.)
- 21** DPC MODE button (See pages 14, 21, 22, 24.)
- 22** RMS CLEAR, ■ button (See page 16.)
- 23** BACK GROUND button (See page 17.)
- 24** ◀, ▶, RMS DIRECTION buttons (See page 16.)
- 25** ◀◀, ▶▶ button (See pages 16, 17.)
- 26** > 10, SHIFT button (See pages 16, 17.)
- 27** Numeric buttons (1 to 0) (See pages 11, 12, 13, 15.)
- 28** TV CONTROL ON button (See page 17.)
- 29** SLEEP button (See page 10.)

Quick Reference

When operate the unit consulting this Quick Reference, make sure that the unit and the various audio/video equipment are properly connected.



Quick Reference

